

LEI

564.42 Wall/Ceiling

Picture on page 87/91/92 of the catalogue

Design: Studio10

Description: In a world of spotlights with a masculine feel, Lei emerges: a system of technical spotlights with a crystalline and elegant aesthetic, based on curved elements that evoke the grace of the feminine universe, such as sartorial pleats and the sophisticated workmanship of precious perfume bottles. Available in matte black, brass, nickel and titanium finishes with clear and frosted glass or smoked, bottle green and red available on request. Lei is destined to capture every eye that passes, with its brilliant aesthetic presence.

Materials: metal, glass

Mounting: Base: Ø 7,1x2 cm included with bracket. Light source: integrated LED, 12-40V, CC 160mA. CRI>90. Dimmable LED. Lens: medium 24° beam. Adjustable direct light: 355° in the horizontal plane and 90° in the vertical plane. Standard glass: Clear, Frost. Glass available on request: Smoke, Ruby Red, Bottle Green.

Nt. Wt.: 0,6 kg

Class: Degree of protection IP20, insulation class 3.

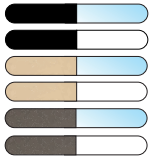
Note: Remote driver included.
110/120V version available on request at additional price.
Recessed base available on request.
Lens: 18° beam and 36° beam available on request.



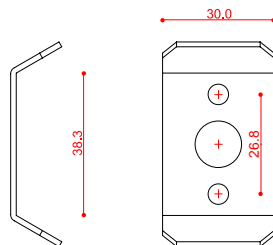
CE IP20

code	voltage	nominal flux	dimmiability	finishes	cable (cm)	dimensions (cm)	LED
564.42	12-40V CC 160mA	660 lm	phase cut	C2 / C42 / C70	/	H 20 x L 12	5W 2700K

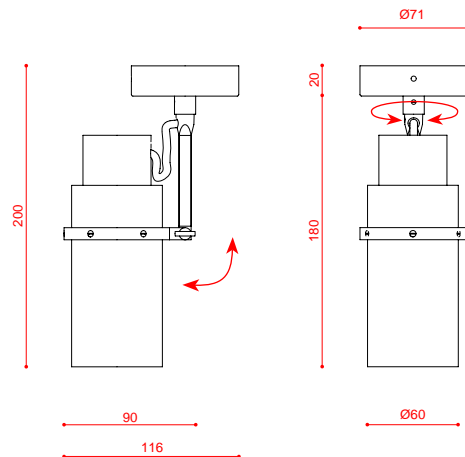
Hardware Glass



- C2 Matte Black + Clear Glass
- C2 Matte Black + Frost Glass
- C42 Satin Brass + Clear Glass
- C42 Satin Brass + Frost Glass
- C70 Titanium + Clear Glass
- C70 Titanium + Frost Glass



bracket (not-to-scale)



measurements in mm