

LEI

564.46 Track

Picture on page 89 of the catalogue

Design: Studio10

Description: In a world of spotlights with a masculine feel, Lei emerges: a system of technical spotlights with a crystalline and elegant aesthetic, based on curved elements that evoke the grace of the feminine universe, such as sartorial pleats and the sophisticated workmanship of precious perfume bottles. Available in matte black, brass, nickel and titanium finishes with clear and frosted glass or smoked, bottle green and red available on request. Lei is destined to capture every eye that passes, with its brilliant aesthetic presence.

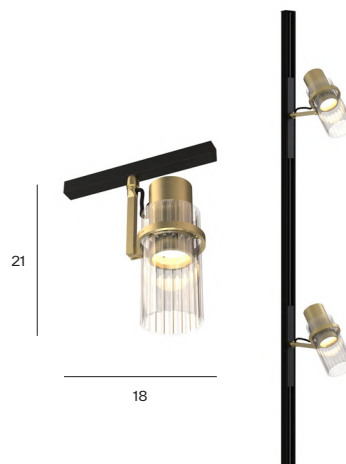
Materials: metal, glass

Mounting: 48V track mechanical single spot adapter: 17,7x1,6x1,6 cm. Light source: integrated LED, 12-40V, CC 160mA. CRI>90. Dimmable LED. Lens: medium 24° beam. Adjustable direct light: 355° in the horizontal plane and 90° in the vertical plane. Standard glass: Clear, Frost. Glass available on request: Smoke, Ruby Red, Bottle Green.

Nt. Wt.: 0,6 kg

Class: Degree of protection IP20, insulation class 3.

Note: Remote 48V track driver included on request.
Remote Casambi DALI included on request.
110/120V version available on request at additional price.
Lens: 18° beam and 36° beam available on request.

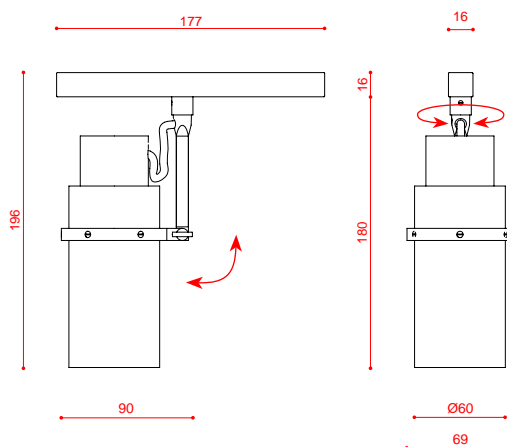


CE IP20

code	voltage	nominal flux	dimmiability	finishes	mounting	dimensions (cm)	LED
564.46	48V	660 lm	DALI	C2 / C42 / C70	on track 48V	H 20 x L 18	5W 2700K

Track and accessories configuration on page 205.

Hardware	Glass	
		C2 Matte Black + Clear Glass
		C2 Matte Black + Frost Glass
		C42 Satin Brass + Clear Glass
		C42 Satin Brass + Frost Glass
		C70 Titanium + Clear Glass
		C70 Titanium + Frost Glass



measurements in mm