

LINFA

565.15 Chandelier

Design: Federico Peri

Description: Inspired and characterized by the natural world, the Linfa family of lamps designed by Federico Peri unfolds on arms so sinuous and elegant as to evoke the veins that run through the leaves, with bright points of light that shine like dew drops. In this family, made up of pendant, floor, table lamps and wall sconces, the refined branches are available in gold, titanium or matt nickel finishes, while the light sources, made of Murano glass, are available in smoky and transparent finishes or milky white.

Materials: metal, aluminum, glass

Mounting: Chandelier: 60/90 cm stems included (adjusted on site). Canopy: Ø 23,5x11,4 cm included with bracket. Light source: Integrated LED. Different glass combinations are available on request.

Nt. Wt.: 25 kg

Class: Degree of protection IP40, insulation class 1.

Note: Driver on board.
110/120V version available on request at additional price.
DALI version on request.




CE \oplus IP40



code	voltage	nominal flux	dimmability	finishes	stem included (cm) adj. on site	dimensions (cm)	recommended LED bulb
565.15	220/240V	17500 lm	phase cut	C24 / C70 / C72	60/90	H 53 x L 165	50 x 2.7W 2700K

Hardware

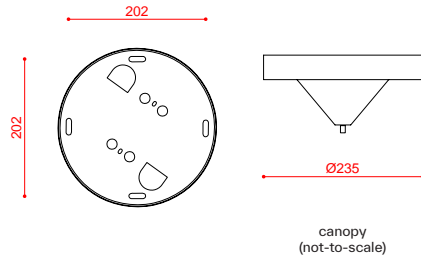
Glass

	15	20	15
	15	20	15
	15	20	15

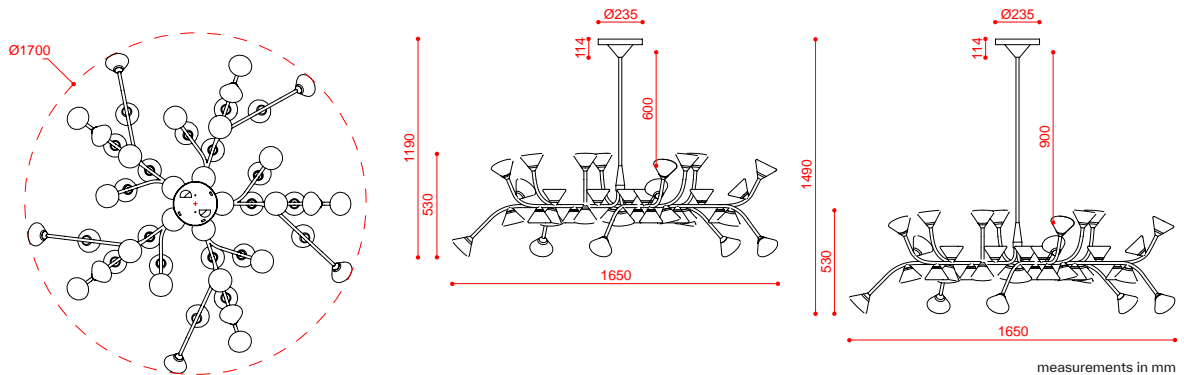
C24 Hot gold + (Smoke + White + Clear) glass

C70 Titanium + (Smoke + White + Clear) glass

C72 Opaque nickel + (Smoke + White + Clear) glass



canopy
(not-to-scale)



measurements in mm