

NABILA

552.32FLAT Chandelier

Picture on page 143/144/145 of the catalogue

Design: Corrado Dotti

Description: A double-sided spherical bright object in borosilicate glass makes these lamps available in different compositions and a structure made by metal coated with epoxy powder enriched with brushed brass or black chrome details. Richness and sobriety all in one single element.

Materials: metal, brass, glass

Mounting: Chandelier: custom stem included (adjusted on site). Canopy: 3x3x79,5 cm included with fixing bracket. Glasses: 24 x Ø 12 cm; 8 x Ø 16 cm. Light source: G9 bulb.

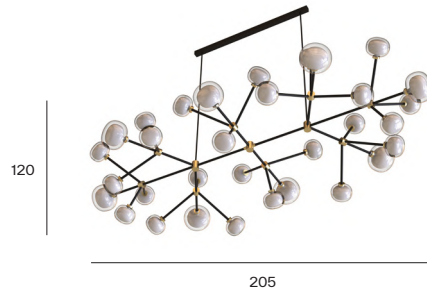
Nt. Wt.: 20 kg

Class: Degree of protection IP40, insulation class 1.

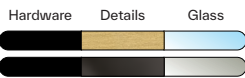
Note: Custom canopy on request.
Lamp version with cables on request.
110/120V version available on request at additional price.
Max dimensions bulb (excluded):



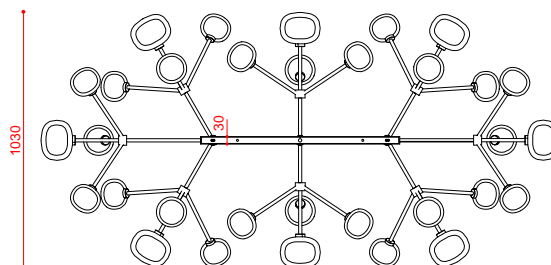
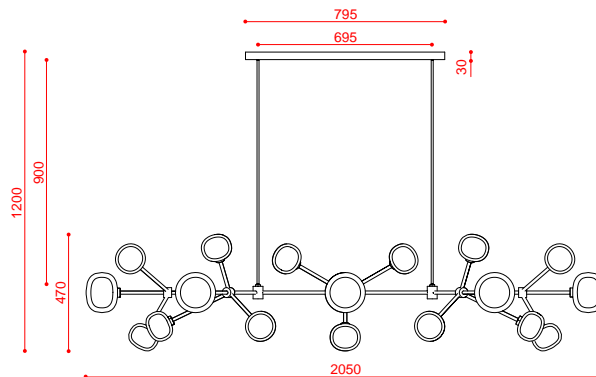
CE IP40



code	voltage	nominal flux	dimmability	finishes	stem included (cm)	dimensions (cm)	recommended LED bulb
552.32FLAT	220/240V	/	according to bulb	C2 + C41 + clear	90	H 120 x L 205	32 x G9 max 5W
552.32FLAT	220/240V	/	according to bulb	C2 + C48 + smoke	90	H 120 x L 205	32 x G9 max 5W



C2 Matte black + C41 Brushed brass + Clear glass
C2 Matte black + C48 Black chrome + Smoke glass



measurements in mm