

NASTRO

563.33 Table

Picture on page 181 of the catalogue

Design: Studiopepe

Description: The famous Nastro family composed of pendant, wall, floor and table lamps, designed by Studiopepe, sees two new important interpretations. These interpretations move in the wake of an aesthetic based on the balance of a cylindrical weight in a band structure made of aluminium and painted with epoxy powder. The system therefore includes a new scenography; a suspension characterized by the positioning of the light sources within closed circular bands, and a new table lamp with a double guise: portable or fixed.

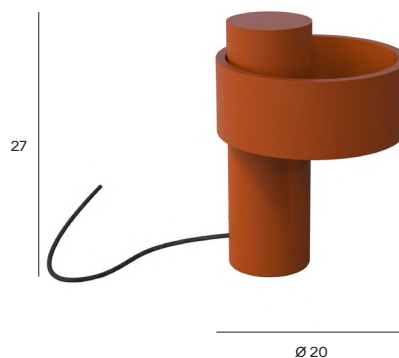
Materials: aluminum

Mounting: Table: cable length 150 cm. Plug: type C (EU). Switch on: touch dimmer on the structure. Light source: Integrated LED.

Nt. Wt.: 2,3 kg

Class: Degree of protection IP40, insulation class 2.

Note: 110/120V version available on request at additional price. Two-colour combination available on request.

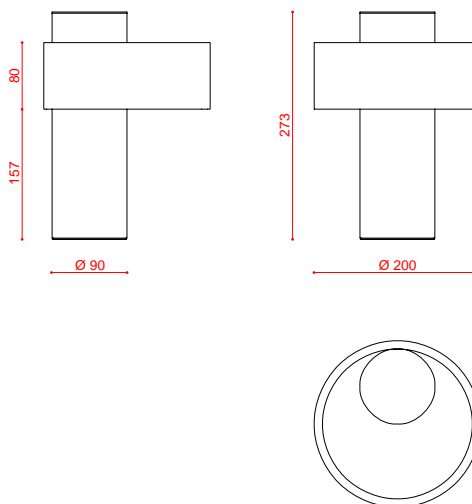


CE IP40

code	voltage	nominal flux	dimmability	hardware finishes + cylinder	cable (cm)	dimensions (cm)	LED
563.33	220/240V	570 lm	integrated	all color combos	150	H 27 x Ø20	7,7W 2700K

Hardware

-  C22 Beige
-  C23 Eggshell
-  C25 Terracotta
-  C26 Greenish-grey
-  C74 Sand black



measurements in mm