

TRATTI

566.61 Floor

Picture on page 258/259/262 of the catalogue

Design: Cara\Davide

Description: Sculptural characters and deconstructed lights, for accessories that border on art: Tratti is a scenographic modular lighting system made up of floor lamps, ceiling lamps and wall sconces that stand as entities in which lighting and matter unify. Characterized by a slightly grainy white finish, noticeable even when turned off, and made of 3D printed nylon powder, these lamps are defined by a soft and diffused light that outlines the anatomical structure of the element from the inside.

Materials: nylon powder, metal

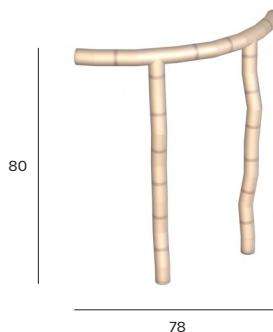
Mounting: Base: Ø8 cm included with bracket. Light source: Integrated LED.

Nt. Wt.: 1 kg

Class: Degree of protection IP40, insulation class 3.

Note: Remote driver included.
Custom shape on request.

CE IP40

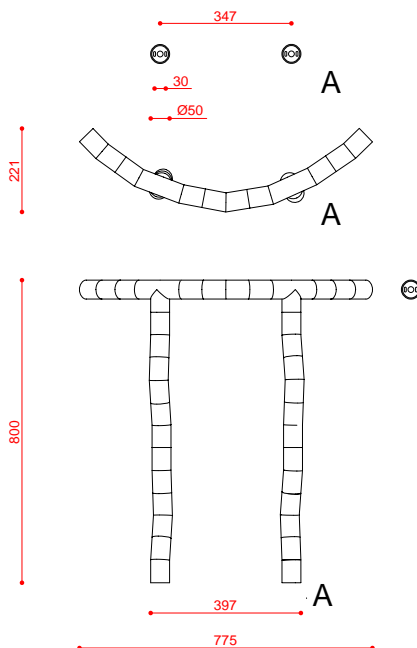


code	voltage	nominal flux	dimmability	finishes	cable (cm)	dimensions (cm)	LED
566.61	24V	1600 lm	according to driver	N01	/	H 80 x L 78	26W 2700K

Hardware



N01 Natural Powder nylon



measurements in mm